

LG016X/017X

The wax thermostatic element produced by the SMLG with its own patented formula is widely recognized, praised and applied in the industry for its sensitivity and accuracy. It has also passed the European experimental institutions product certification (ACS,WRAS)

Technical Parameter

Maximum Load	140N	LG016X	
Minimum Load	40N	Temperature(°C)	Stroke(mm)
Testing Load	50N	22°C~44°C	2±0.25
Spring Rate	5N/mm	22°C~60°C	4.5±0.5
Maximum Temperature	90°C	LG017X	
Material	Copper	Temperature(°C)	Stroke(mm)
Stroke:L=0mm at 22°C 37N		22°C~44°C	3.5±0.5
Lifespan:100000 times			

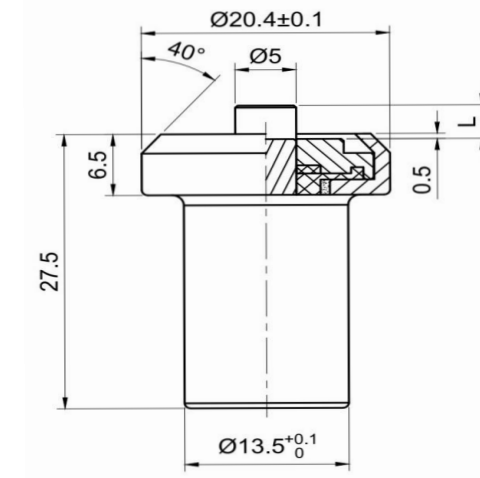
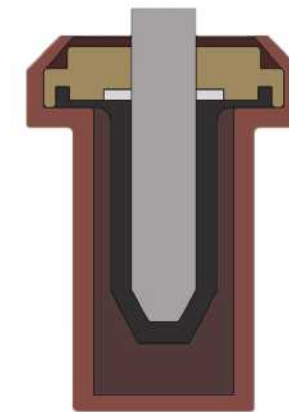
Application

- Automobile
- Shipping
- Other industries
- Plumbing
- Air conditioning
- Sanitary
- Military

Customize Solution

If you are not sure about the parameters of thermostatic element, our team will assist you with your selection or customize according to your products' situation. Before any commitment, you need to send us written confirmation for the three performance parameters of the wax thermostatic element (temperature range, working stroke and maximum load).

Dimension



All models and specifications

Item No	Temperature	Force	Length of extend(mm)
LG016X	22°C	37N	0
	44°C	50N	2±0.2
	60°C	68.5N	4.5±0.5
LG017X	22°C	37N	0
	44°C	50N	3.5±0.5